

1-877-903-7246



www.trenchdrainsupply.com

Number

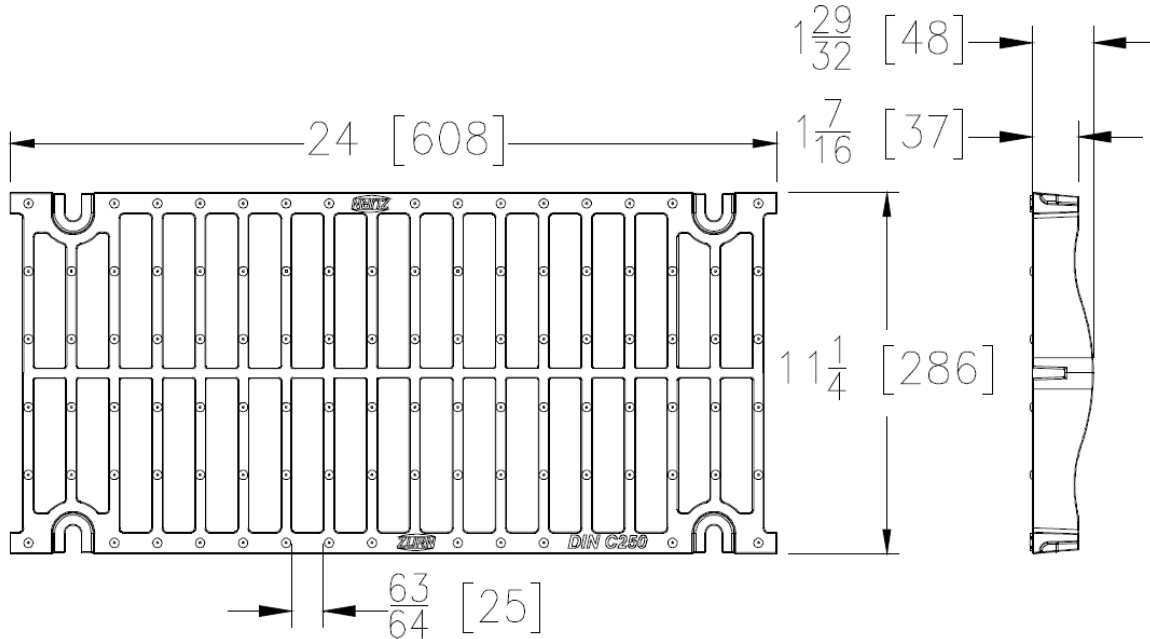
84225

Series

Z882-GDC-USA

C Class Galvanized Ductile Iron Grate

P12-GDC-USA



Specification

The Zurn P12-GDC-USA Slotted Grate, Galvanized Ductile Iron, is 11-1/4 inches wide by 24 inches long, weighing 14.7 lbs per linear foot. The grate has an open area of 86.7 square inches per linear foot, DIN Rating of C, ANSI Rating of Heavy-Duty, H-20 Load Rated. Galvanizing (hot dip) conforms to ASTM specification A123. Supplied by Trench Drain Supply.



GDC - Galvanized Ductile Iron	
Material:	Ductile Iron
DIN Rating:	Class C
Weight:	14.7 lbs/ft.
Open Area:	80.8 in ² /ft.
ANSI Rating:	Heavy-Duty
Application:	Vehicle & Truck
Slot Width/Hole Size:	63/64"
ADA:	No
H-20:	Yes
FAA:	No

Manufacturer



DISCLAIMER - The customer and the customer's architects, engineers, consultants, and other professionals are completely responsible for the selection installation and maintenance of any product purchased from Trench Drain Supply and/or its manufacturers. TRENCH DRAIN SUPPLY MAKES NO WARRANTY, EXPRESS OR IMPLIED, AS TO THE SUITABILITY, DESIGN, MERCHANTABILITY, OR FITNESS OF THE PRODUCT FOR CUSTOMERS APPLICATION. The drawing and information provided remain the property and copyright of the manufacturer listed. The manufacturer reserves the right to modify specification without notice.